

NO.	NAME	MATERIAL
1	HOUSING	PBT / Nylon
2	PIN TERM.	PHOS. BRONZE
3	SHELL	BRASS / SPCC
4	SHELL	BRASS
5	COVER SHELL	BRASS / SPCC

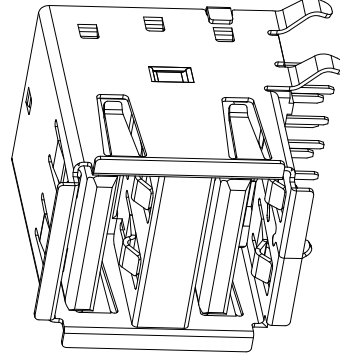
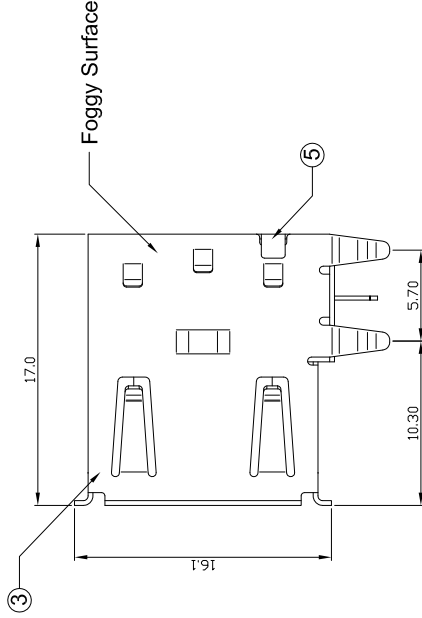
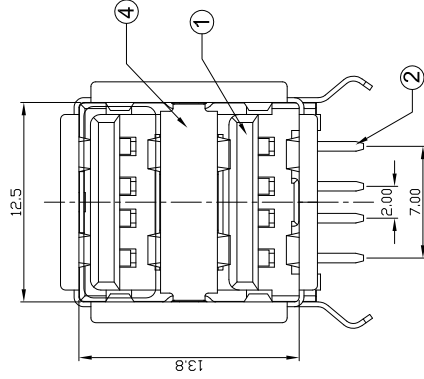
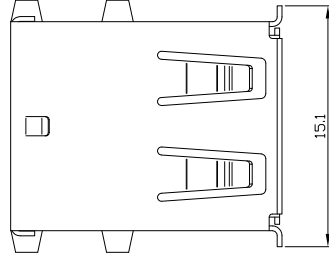
SUA-210H * - * - * *

Series _____
 Type _____
 Color _____
 B : Black
 W : White

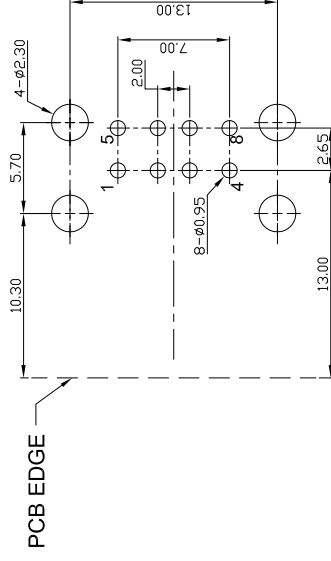
Shell _____
 T : Tin Plated
 F : SPCC
 N : Nickel Plated (Foggy Surface)

Version _____
 1 : 1.1
 2 : 2.0

Material _____
 B : PBT
 P : Nylon



**SUGGESTED PCB LAYOUT
TOP VIEW**



REV. ZONE	REVISION	DATE	APPD.
A.1 (A)	增加Foggy Surface敘述	2009.3.24	Aaron

COMPUTER NO.		UNIT	SCALE	PART NAME
D : \ DWG \ SUA-210H		mm	1 : 1	DOUBLE USB. TYPE A
APPD.	CKD.	DATE	TOLERANCE	REV.
Michael	Valiant	2007-01-26	0.000mm ± 0.075mm 0.00 mm ± 0.15 mm 0.0 mm ± 0.25 mm	A.1

CHAMPWAY 冠泰電子有限公司
 CHAMPWAY ELECTRONICS CO., LTD.